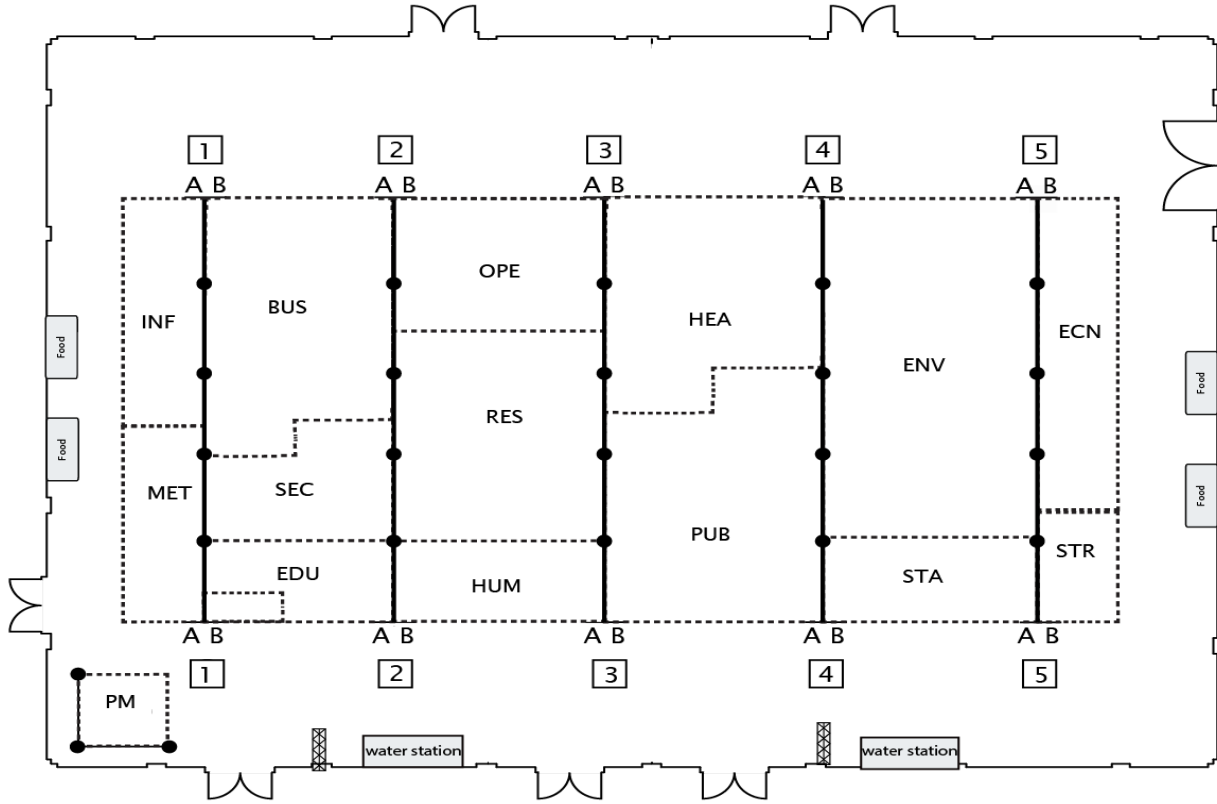
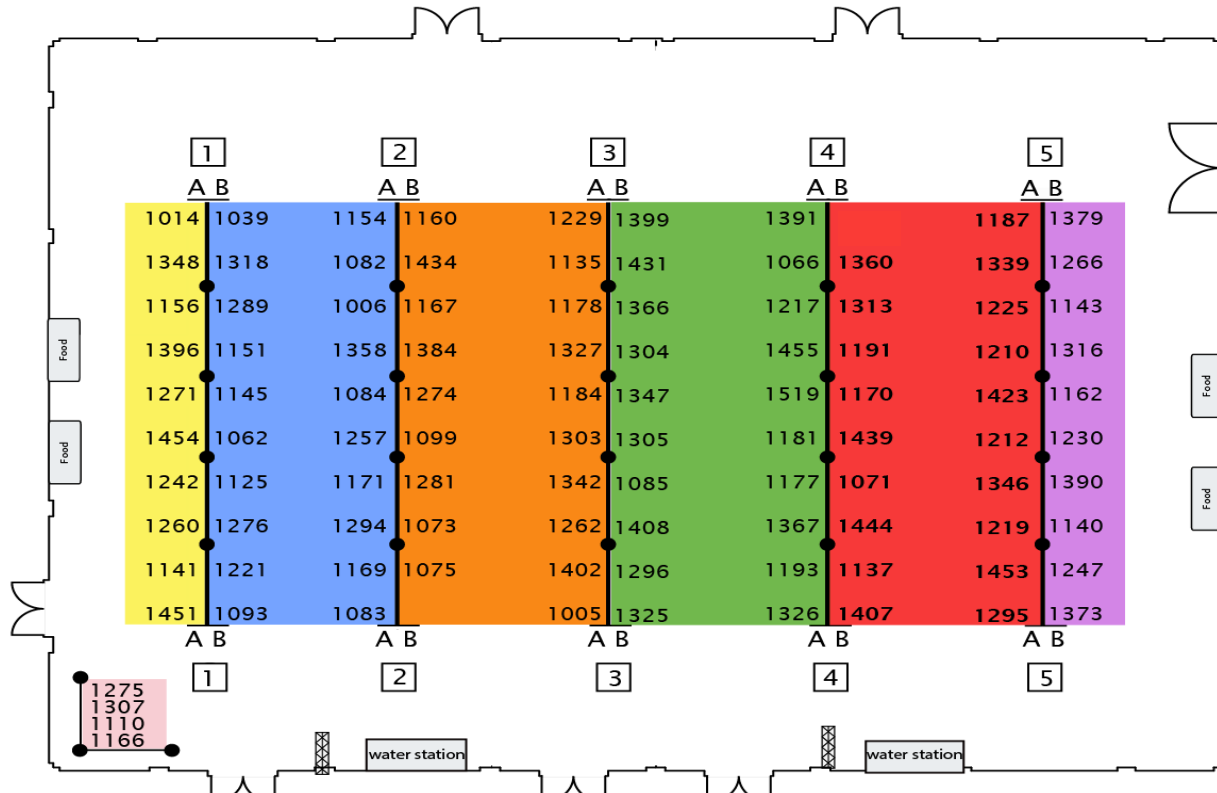


Poster Symposium and Buffet

Poster Layout and Schedule



Sponsored by Greenwood Strategic Advisors AG
 Monday July 17, 2017 7:30 PM (President's Ballroom)



Poster Symposium and Buffet

Sponsored by Greenwood Strategic Advisors AG
2017 International Conference of
the System Dynamics Society – Cambridge



Poster schedule

Monday July 17, 2017 7:30 PM – 9:30 PM (President’s Ballroom)

Titles / Session Names	Position	Thread
<i>The dynamics of knowledge sharing practices of project teams when encountering changes in project scopes</i> by Wei-Tsong Wang; Nai-Yuan Ko	Yellow-1A: 1014	Information and Knowledge
<i>Automation of Loop Eigenvalue Elasticity Analysis</i> by Esneyder Gonzalez; René Amaya Mier; Ruben Yie Pinedo	Yellow-1A: 1348	
<i>Modelling the Complex Dynamics of Public Opinion Propagation in Micro-Blogging</i> by Jidi Zhao; Jianguo Jia	Yellow-1A: 1156	
<i>Intergovernmental Dynamics of Transportation Planning: Why Some Towns Attract More Federal Funding Than Others?</i> by Asim Zia; Christopher Koliba	Yellow-1A: 1396	
<i>Using Dance of Change Concepts to Apply Critical Cultural Success Factors to Data Quality Initiatives (Research in Progress)</i> by David Becker; JR Talburt; Tom Redman; Terry Williams	Yellow-1A: 1271	
<i>Computational Modeling Framework for Multi-level Systems w Feedback, Uncertainty, and Heterogeneity—Case in Point: Concussion</i> by Wayne Wakeland; Erin Kenzie	Yellow-1A: 1454	Methodology
<i>Linking Simulator Functionality with Learning: An Extension of the Taxonomy of Computer Simulations to Support Learning</i> by Roland Maximilian Happach; William Schoenberg	Yellow-1A: 1242	
<i>A Qualitative Approach for Clustering Simulation Output Data Based on Behaviour Mode Analysis</i> by Martina Curran; Enda Howley; Jim Duggan	Yellow-1A: 1260	
<i>Dealing With Complexity: A Holistic Participatory Systems Approach For Improving Construction Innovation Performance</i> by Emiliya Suprun; Oz Sahin; Rodney Stewart; Kriengsak Panuwatwanich	Yellow-1A: 1141	
<i>Dominance Analysis Using Pathway Force Decomposition</i> by Jeremy Sato	Yellow-1A: 1451	
<i>The System Dynamics Model User Sustainability Explorer (SD-MUSE) tool for interpreting system dynamic models</i> By David Hines; Jenna Kolling; Thomas Transue; Rochelle Araujo	Blue-1B: 1093	Business
<i>Exploring the Dynamics of an Energy Service Venture for Energy Efficiency Policy</i> by Carlos Capelo; Joao Dias; Renato Pereira	Blue-1B: 1039	
<i>Understanding the Implementation Dynamics of a Technology Intervention Project</i> by Jayendran Venkateswaran; Kelsey Werner; Chetan Solanki; Gautam Yadama	Blue-1B: 1289	
<i>Analysing the Market Evolution and Strategy Implications of the DSLR Industry</i> by Jian Hung Chen; Yu-Fang Liang; Ting-Hsien Wu; Li-Xiang Lin; Jian-Jing Li	Blue-1B: 1151	
<i>Understanding Value Creation under Dynamic Complexity: An example from Integrated Reporting practices</i> by Martin Kunc; Federico Barnabe; Maria Cleofe Giorgino	Blue-1B: 1145	
<i>A Veterinary Telemedicine Case Study</i> by John Voyer; Tristan Jordan	Blue-1B: 1062	
<i>Improving the Management of Innovation Risks</i> by Ralf Dillerup; Daniela Kappler	Blue-2A: 1082	
<i>Analyzing Business Dynamics of Ride-Hailing Services: A DPM Approach Applied to Uber Inc.</i> by Davood Qorbani; Yokei Yamaguchi; Federico Cosenz; Sebastiaan Deuten	Blue-2A: 1154	
<i>Evaluation of construction safety management based on site corrective actions</i> by Shahin Dabirian; Mehdi Saffar	Blue-2A: 1006	
<i>Innovation diffusion and bandwagon effect. The case of the palm oil in the Italian bakery industry</i> by Carmine Garzia	Blue-2A: 1358	
<i>Managing Project Risks in the Electricity industry in Sub Saharan Africa</i> by Noah Ogano	Blue-2A: 1084	

Continued on next page

<i>Proxy War in the Gray Zone</i> by Asmeret Naugle; Michael Bernard	Blue-2A: 1257	Security
<i>A financial evaluation of DDOS defences dynamics from an organisational perspective: how long will these defences hold?</i> by Sander Zeijlemaker; Etiënne Rouwette	Blue-2A: 1171	
<i>Modeling ISIL: Understanding the Dynamics of a Modern Terrorist Network</i> by James Enos	Blue-2A: 1294	
<i>Modeling the Influence of Positive Incentives on Insider Threat Risk Reduction</i> by Andrew Moore	Blue-1B: 1125	
<i>Continued development of a concept to implement M&S in support of the operations process</i> by Guido Veldhuis; Nicolaas de Reus; Bas Keijser	Blue-1B: 1276	
<i>Case Study of K-12 program in South Korea - Applied by World Climate Focused on Environment Subject</i> by Chang-Kwon Chung; Ji Won Son; Ryeong Ji Park	Blue-1B: 1221	Education (Learning and Teaching)
<i>Learning to Teach System Dynamics in Agricultural and Resource Management Before and After the Competence Development Framework</i> by Benjamin Turner; Steven Chumbley	Blue-2A: 1169	
<i>A new tool for education for sustainable development</i> by Conor Meehan; Therese Bennich; David Collste; Conrad Steinhilber; Tom Bongers; Aly Elmasry	Blue-1B: 1318	
<i>Strategic Resources Investment Planning for Growth and Development: An executive training model</i> by Rogerio Domenge; Jorge Mejia	Blue-2A: 1083	
<i>Assessing the Future Workforce Supply for the UK Nuclear Sector</i> by Siôn Cave; Steve Bennett; Rebecca Pleasant; Emma Woodham	Orange-2B: 1160	Operations
<i>Interactions of production strategies and a production system's performance</i> by Tim Hettesheimer	Orange-3A: 1229	
<i>Modeling Rasmussen's Dynamic Modeling Problem: Drift towards a Boundary of Safety</i> by J. Bradley Morrison; Robert Wears	Orange-2B: 1434	
<i>Business Models for Condition Based Maintenance Services</i> by Quan Zhu; Henk Akkermans	Orange-3A: 1135	
<i>Managerial Implications and Comparative Effects of SAFe Scaled Agile Methods in Government Software Acquisition</i> by Allen Moulton; Stuart Madnick; Gregory Love; John James; Greg Howard; Aleksandra Markina-Khusid; Paula Mahoney; Sean Ricks	Orange-2B: 1167	
<i>A Flight Simulator for Sea Port Capacity Improvement: A Case Study of Rajaee Port of Iran</i> by Rassam Moshrefi; Bahareh Ansari; Mahdi Mirdamadi Najafabadi	Orange-3A: 1178	
<i>Integrating Energy Storage into the German Electricity Market</i> by Roland Maximilian Happach; Pål Davidsen; Meike Tilebein	Orange-2B: 1384	Resources
<i>The Evolutionary Dynamics of Indias Rural Water Systems: Part I</i> by Sydney Beasley; Chintan Vaishnav; Michael Bono; Rohit Karnik; Vinod Kothari; Sunesh Sharma; Avijit Mallik	Orange-3A: 1327	
<i>Modelling sustainability of primary forest residues-based bioenergy system</i> by Maxon Chitawo; Annie Chimphango; Steve Peterson	Orange-2B: 1274	
<i>Did Globalization Hurt the Miskito People? Using a Quantitative Model to Test a Qualitative Theory from Political Ecology</i> by Brendan Schuetze	Orange-3A: 1184	
<i>Beyond the Death Spiral - Transitioning to Renewable Energy in Western Australia</i> by William Grace	Orange-2B: 1099	
<i>A Broiler House Simulator to Facilitate Management of Disease in Poultry Production</i> by Karen Galarneau; Randall Singer; Robert Wills	Orange-3A: 1303	
<i>An Analysis of End-of-Life Vehicle (ELV) Recycling in Emerging Economies</i> by Krishna Mohan Thazhathu Valiyaveetil; R K Amit	Orange-2B: 1281	
<i>Boosting electricity access in Africa with private sector financing</i> by Benjamin Batinge; Josephine Musango; Alan Brent	Orange-3A: 1342	
<i>Development and evaluation of an ecohydrology soil-moisture model to aid in understanding semi-arid ecosystem dynamics</i> by Benjamin Turner	Orange-2B: 1073	
<i>Long Term Impacts of the RES-E Promotion in the Brazilian Power System</i> by Mário Coelho; João Tomé Saraiva; Adelino Jorge Coelho Pereira	Orange-3A: 1262	

Continued on next page

<i>Lessons from a long-term Beer Game dataset played by natural resource managers: reinforcing systems education across disciplines</i> by Benjamin Turner; Michael Goodman; Clay Mathis; Rick Machen; Ryan Rhoades; Barry Dunn	Orange-2B: 1075	Human Behavior
<i>Psychosocial Risk in the Nursing Personnel of a Health Care Provider</i> by Maria Bolivar; Luz-Angélica Rodríguez; Joan Cruz	Orange-3A: 1402	
<i>Designs for Living: A Simulation Analysis of Factors Affecting Achievement and Satisfaction over the Life Cycle</i> by Jack Homer	Orange-3A: 1005	
<i>The Capability Trap: Prevalence in Human Systems</i> by Erik Landry; John Sterman	Green-3B: 1325	Public Policy
<i>Aggregation underestimates growth: Case study in Population Modelling for India</i> by Shreenivas Kunte; Om Damani	Green-3B: 1305	
<i>Exploring Information Communication Technology and mobility linkage for smart and sustainable cities in developing countries</i> by Dillip Das	Green-3B: 1085	
<i>The Power of Operational Thinking for Engineering Social Systems: A Tale of Crime and Police Work in an Urban District</i> by Camilo Olaya; Maria Alejandra Victorino Jimenez	Green-3B: 1408	
<i>The dynamics of female labour force participation: how family policy influences womens work behaviour</i> by Benedicte Wilson	Green-3B: 1296	
<i>Identifying key factors for the commercial success of an integrated journey planning and ticketing smartphone application</i> by Astrid Guehnemann; Simon Shepherd	Green-4A: 1519	
<i>Administrative Court of Appeals Backlog Dynamics</i> by Amanda Karapici	Green-4A: 1181	
<i>Simulation of the Leaky Pipeline: Gender Diversity in US K-Graduate Education</i> by Maryam Alsadat Andalib; Navid Ghaffarzadegan	Green-4A: 1177	
<i>Homelessness in the Child Welfare System: Barriers for Safety, Permanency, and Well-Being</i> by Katherine Marcal; Saras Chung; Patrick Fowler	Green-4A: 1367	
<i>Long-term Dynamics of Acequia Population in New Mexico</i> by Yining Bai; Saeed Langarudi; Alexander Fernald	Green-4A: 1193	
<i>London's Housing Crisis</i> by Kaveh Dianati; Nici Zimmermann; Michael Davies	Green-4A: 1326	
<i>A Dynamic Theory of Healthcare Work Pressure, Nurses Well-being and Patient Satisfaction</i> by Sebastiaan Deuten	Green-3B: 1399	Health
<i>Study of Interventions to Improve Human Papillomavirus (HPV) Vaccination Receipt Rate among Adolescent Boys in NYS</i> by Nasser Sharareh; Nasim Sabounchi; Serder Atav	Green-4A: 1391	
<i>Dynamics of Healthcare Utilization under the Civil Servant Medical Benefit Scheme of Thailand's Universal Health Coverage</i> by Borwornsom Leerapan	Green-3B: 1431	
<i>Trial Termination and Drug Misclassification in Sequential Adaptive Clinical Trials</i> by Alba Rojas-Cordova; Niyousha Hosseinichimeh	Green-4A: 1066	
<i>Modeling the Dynamics of an Urban Emergency Medical Services System</i> by Richard Martin; Gizem Bacaksizlar	Green-3B: 1366	
<i>Socio-economic Impact of the mHealth Adoption in Managing Diabetes</i> by Won-Sik Hwang; Nam Hee Choi	Green-4A: 1217	
<i>Community and Programmatic Factors Influencing Effective Use of System Dynamic Models</i> by Karen Minyard; Tina Anderson Smith; Richard Turner; Bobby Milstein	Green-3B: 1304	
<i>Feedback Effects of Acceptability, Affordability, Accessibility, and Quality on Drug Addiction Treatment and Remission</i> by Erin Stringfellow; Jeremy Sato	Green-4A: 1455	
<i>Designing healthcare policies to reduce caesarean sections: an empirical analysis</i> by Enzo Bivona; Federico Cosenz	Green-3B: 1347	

Continued on next page

<i>Engaging communities to make resilience an operational concept</i> by Carolyn Stwertka; Steve Peterson	Red-4B: 1360	Environment
<i>To invest or not to invest in sustainability? Dilemma of a small hotel</i> by Hui Jun Ling; Michael Quah; Jenson Goh	Red-4B: 1313	
<i>Dynamic modeling assessment of Water and Food Security: the San Pedro River Valley, Mexico</i> by Juan Huerta-Tolis; Amós Antonio Perez-Hernandez	Red-4B: 1191	
<i>Exploring disease dynamics on coral reef ecosystems through system dynamics models</i> by Henry Bartelet; Pamela Fletcher	Red-4B: 1170	
<i>Dynamic Model for Comparing the Performance of Waste Management Strategies over Sustainability Dimensions</i> by Diana C. Tascón-Hoyos	Red-4B: 1439	
<i>Assessing renewable energies on the sustainability of the power sector</i> by Sebastián Zapata Ramirez; Isaac Dyrer; Judith Cherni; Monica Castaneda; Carlos Franco Cardona	Red-4B: 1071	
<i>Exploring the Dynamics of Food Sharing Systems With Participatory System Dynamics Modeling – The Re-Food Case</i> by Krystyna Stave; Nuno Videira	Red-4B: 1444	
<i>Modeling the Bioremediation of a Diesel-contaminated Soil Using an Enriched Hydrocarbon-degrading Inoculant</i> by María Balseiro-Romero; Carmen Monterroso; Petra Kidd; Panagiotis Gkorezis; Jaco Vangronsveld; Juan Casares Long	Red-5A: 1187	
<i>Moving towards biotechonomy: an applied case in agriculture sector</i> by Andra Blumberga; Armands Gravelins; Dagnija Blumberga; Gatis Bazbauers; Pål Davidsen; Toms Prodanuks	Red-5A: 1339	
<i>The societal implications of Sustainable Energy Action Plans (SEAP)</i> by Giovanni Bernardo; Simone D'Alessandro	Red-5A: 1225	
<i>Nutrient Balance Simulation in Small-Scale Recirculating Aquaculture</i> by Eliza Hoffman	Red-5A: 1210	
<i>Fighting the inevitable: Systems thinking, infrastructure, and coastal community trajectories in the face of sea level rise</i> by Sierra Woodruff; Todd BenDor	Red-5A: 1423	
<i>Model for Assessment Sustainability Indicators in biofuels.</i> by Danny Ibarra-Vega; Gerard Tost; Johan Manuel Redondo	Red-5A: 1212	
<i>Explaining and Predicting Recruitment of Yellow Perch in North American Inland Lakes</i> by Melissa Wuellner; Benjamin Turner; Hector Menendez; Dan Dembkowski	Red-5A: 1346	
<i>Assessing the vulnerability and adaptation options for coastal water supply and demand systems</i> by Thuc Phan; James Smart; Oz Sahin; Samantha Capon; Wade Hadwen; Lan Nguyen; Ngoan Pham	Red-5A: 1219	
<i>The Elements and Structure of a Group Model Building Case Study Database</i> by Warren Farr	Red-4B: 1137	Stakeholder Engagement
<i>Systemic Interventions Design in Public Policy Management: Youth Policy Case Study</i> by Nikola Pucarevic	Red-4B: 1407	
<i>Financial Instability through the Eyes of the Federal Reserve Bank Supervisors</i> by Oleg Pavlov	Red-5A: 1453	
<i>Systems View of Health, Wellbeing and Urban Transportation: An Evolving Picture</i> by Kalyan Tanksale	Red-5A: 1295	

Continued on next page

<i>Modeling and Analysis of the Speculative Dynamics of Foreign Exchange Rate: A Case Study from Turkey</i> by Ceren Cehreli; Ipek Dursun; Yaman Barlas	Purple-5B: 1379	Economics
<i>Behavioral Expectation Formation and the Knife Edge: Another Look at Harrod</i> by Michael Radzicki	Purple-5B: 1266	
<i>Simulating Lifetime Saving Decisions: The Behavioral Economics of Countervailing Cognitive Biases</i> by Babak Bahaddin; Stephen Weinberg; Luis Luna-Reyes; David Andersen	Purple-5B: 1143	
<i>How Economic Policies Profile Industrial Cycles and Long-term Trends (an Application to the USA)</i> by Alexander Ryzhenkov	Purple-5B: 1316	
<i>Olive Oil Industry Dynamics: The Case of Turkey</i> by Büsra Atamer Balkan; Sedef Meral	Purple-5B: 1162	
<i>Dynamics of the European lignocellulosic (2G) ethanol demand: An analysis of policy and learning effects on market growth</i> by Djerdj Horvat; Christian Lerch; Sven Wydra	Purple-5B: 1230	
<i>The Impact of Production Technology on Dynamic Behavior of Brazilian Farm Milk Prices</i> by Andre Simoes; Roberto Protil; Charles Nicholson; Andrew Novakovic	Purple-5B: 1390	Strategy
<i>Exploring the effect of conflict management on the performance of ERP software customization-A Case Study of D Company</i> by Mei-Chun Luo; Wei-Tsong Wang	Purple-5B: 1140	
<i>Justifying maintenance studying system behavior: a multi-purpose approach using multi-objective optimization</i> by Gary Linneusson; Amos Ng; Tehseen Aslam	Purple-5B: 1247	
<i>Determining Site-Specific Strategies to Improve the Adoption and Sustainability of Resource Recovery Systems: A Community-Infor</i> by Christine Prouty; Shima Mohebbi; Qiong Zhang	Purple-5B: 1373	Peer Mentoring (Learning and Teaching)
<i>Product and innovation management peer-mentoring group</i> by Andrijana Horvat; Emiliya Suprun; Felix Giedziella; Anh Lan Thi Nguyen	Pink-PM: 1166	
<i>Graduate Student Peer-mentoring group poster session</i> by Larry Gottschamer; Erika Palmer; Roland Maximilian Happach; Sarah Hafner; George Matthew; Laura Black	Pink-PM: 1110	
<i>Report on a Pilot to Support Student Peer-Mentoring Groups</i> by Laura Black; David Andersen; Krystyna Stave; Luis Luna-Reyes; Larry Gottschamer	Pink-PM: 1307	
<i>We Like Each Other – Is this the Systemic Solution for the Survival of Peer Mentoring Groups?</i> by Sarah Hafner; Tomas Hubik; Joon Tuovinen; Hector Menendez; Thomas Horschig	Pink-PM: 1275	